

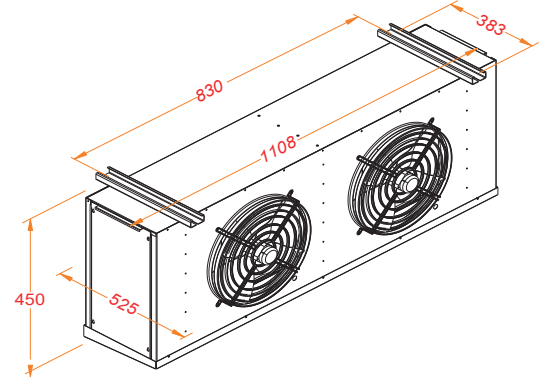
Technical Data Sheet

Conditions	SC1 T _E = 0°C	SC2 T _E = -8°C	SC3 T _E = -25°C
	DT1=10K	DT1=8K	DT1=7K
CAPACITY (kW)	5.37	3.65	2.85

Evaporator	ORE 30.22.6
Fin Spacing	6 mm
Defrost (Chiller)	E1 4 x 200 Watt
Defrost (Freezer)	E2 6 x 200 Watt
Expansion	TV
Fan	2 x Ø 300 mm
Fan Brand	Ebmpapst
Consump. Capacity	144 Watt
Air Volume	2090 m ³ /h
Surface Area	13,6 m ²
Expansion Valve	Danfoss

E : Electric
TV : Thermostatic valve

Pipe Diameters (inches)	
Suction Line	3/4"
Liquid Refrigerant Line	1/2"



P: +90 212 694 58 58
F: +90 212 694 58 59

info@tekop.com.tr

Gokevler Mah. 2245 Sok.
No:7 Holpark Sit.
Esenyurt/Istanbul/TURKEY