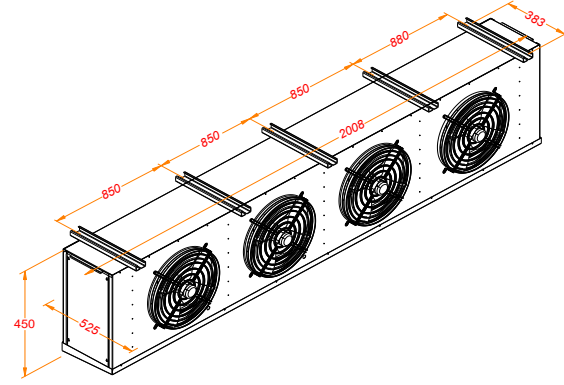


Conditions	SC1 T _E = 0°C	SC2 T _E = -8°C	SC3 T _E = -25°C
	DT1=10K	DT1=8K	DT1=7K
CAPACITY (kW)	11.30	7.70	6.06

Evaporator	ORE 30.42.6
Fin Spacing	6 mm
Defrost (Chiller)	E1 4 x 400 Watt
Defrost (Freezer)	E2 6 x 400 Watt
Expansion	TV
Fan	4 x Ø 300 mm
Fan Brand	Ebmpapst
Consump. Capacity	288 Watt
Air Volume	4340 m ³ /h
Surface Area	28,8 m ²
Expansion Valve	Danfoss

E : Electric
TV : Thermostatic valve

Pipe Diameters (inches)	
Suction Line	1 1/8"
Liquid Refrigerant Line	1/2"



P: +90 212 694 58 58
F: +90 212 694 58 59

info@tekop.com.tr

Gokevler Mah. 2245 Sok.
No:7 Holpark Sit.
Esenyurt/Istanbul/TURKEY