

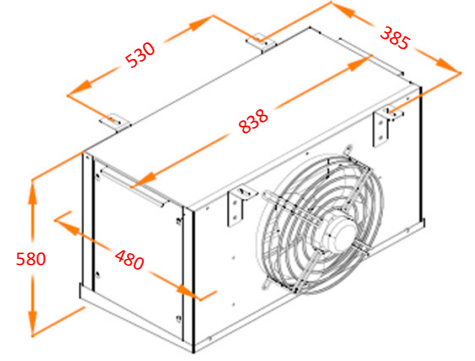
## Technical Data Sheet

Conditions	SC1 T <sub>E</sub> = 0°C	SC2 T <sub>E</sub> = -8°C	SC3 T <sub>E</sub> = -25°C
	DT1=10K	DT1=8K	DT1=7K
<b>CAPACITY (kW)</b>	3.78	2.44	1.88

<b>Evaporator</b>	ORE 35.11.6
<b>Fin Spacing</b>	6 mm
<b>Defrost (Chiller)</b>	E1 4 x 150 Watt
<b>Defrost (Freezer)</b>	E2 6 x 150 Watt
<b>Expansion</b>	TV
<b>Fan</b>	1 x Ø 350 mm
<b>Fan Brand</b>	Ebmpapst
<b>Consump. Capacity</b>	165 Watt
<b>Air Volume</b>	2300 m <sup>3</sup> /h
<b>Surface Area</b>	8 m <sup>2</sup>
<b>Expansion Valve</b>	Danfoss

E : Electric  
TV : Thermostatic valve

Pipe Diameters (inches)	
<b>Suction Line</b>	1/2"
<b>Liquid Refrigerant Line</b>	1/2"



P: +90 212 694 58 58  
F: +90 212 694 58 59

info@tekop.com.tr

Gokevler Mah. 2245 Sok.  
No:7 Holpark Sit.  
Esenyurt/Istanbul/TURKEY